

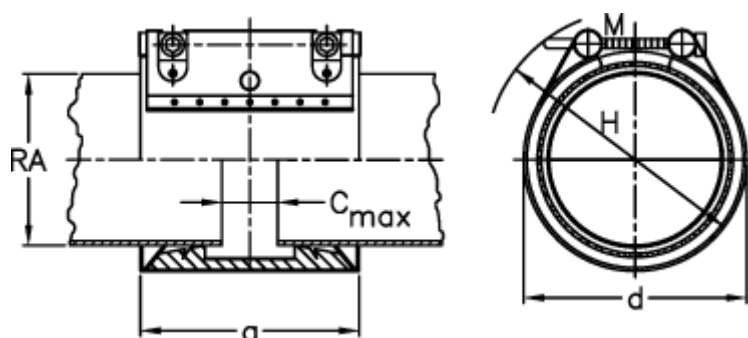
Data Sheet



Article number: 025849160060

Description: Norma Connect pipe coupling
COMBI GRIP GL W2 Ø60,3/63 EPDM 16 bar

Measures



a	= 77.4	RA min-RA max plastic = 62,5-63,5
C max with insertion band	= 17	Weight a piece = 0.8
d	= 85	
H	= 105	
M (screw)	= M8	
Nominal pressure (bar)	= 16	
RA	= 60,3/63,0	
RA min-RA max metal	= 59,0-61,0	